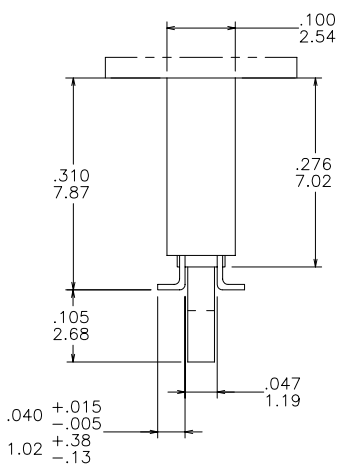
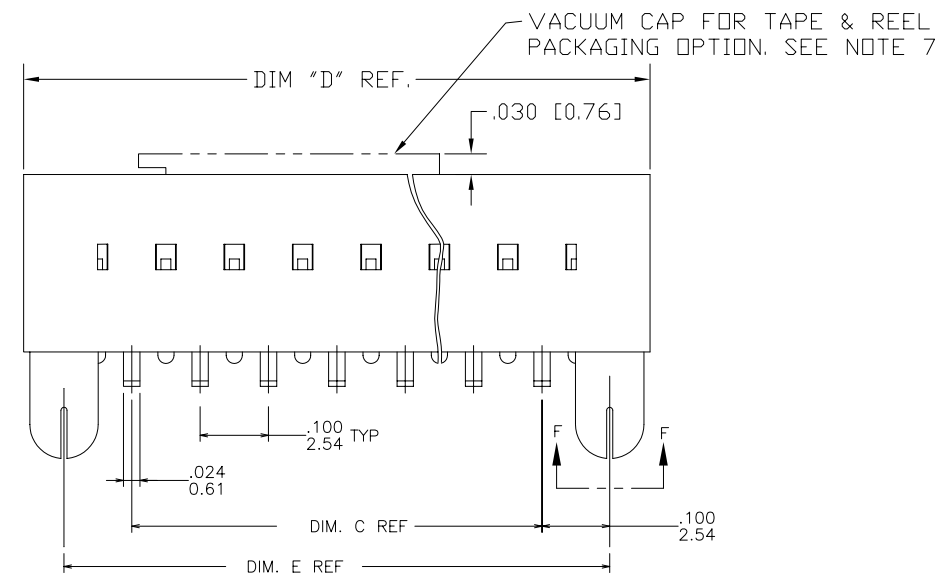
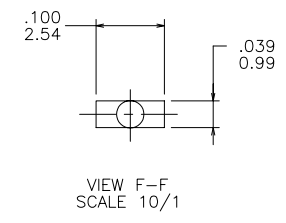
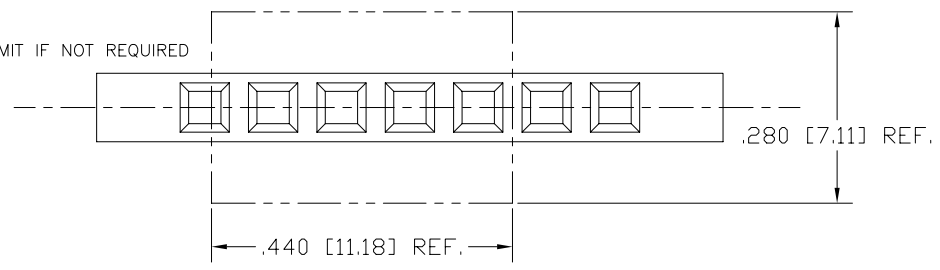


PRODUCT NUMBER
SEE TABLE
68617 -XXX- LF

- LEAD FREE OPTION
- PACKAGING OPTION NOTE 10. OMIT IF NOT REQUIRED
- NO OF POSITIONS PER ROW
- PLATING CODE
- BASE PART NUMBER



mat'l. code SEE NOTES 1, 3 & 8		surface ISO 1302 ✓		tolerance ISO 406 ISO 1101		projection ⊕		product family DUBOX	
ltr	ecn no	dr	date	tolerances unless otherwise specified		INCH/MM		title	
R	V20732	GIP	04/17/02	angles	linear	.XX ±.01/0.3		SMT SINGLE ROW	
S	V21654	GIP	10/15/02			.XXX ±.005/0.13		LATCHED VCC ASSEMBLY	
T	V03-0309	HTB	04/28/03	0°±2'			scale 1:1		
U	V05-0463	DPU	06/28/05	dr	J. SHREINER	10/07/90		dwg no sheet 1 of 5 size	
V	M06-0237	MN	06/17/06	enr	M. HAHN	10/07/90		68617 A3	
W	M06-0433	AGS	10/31/06	chr	M. HAHN	10/07/90		type Product Customer Drawing	
X	M07-0198	MHT	4/24/07	appd	M. HAHN	10/07/90			
sheet index	revision sheet	X	X	X	X	X	X		
		1	2	3	4	5			

FCI
FCIconnect.com
Copyright FCI

form: A3

PRODUCT NO.
SEE TABLE

NOTES:

- ① TERMINAL MATERIAL: PHOSPHOR BRONZE.
- 2. RECOMMENDED APPLICATION DATA:
 - A. RECOMMENDED SOLDER PAD PATTERN IS SHOWN IN FIG. A & B.
 - B. ALL MATING PINS TO BE .025/.64 SQUARE ON TRUE CENTER OF GIVEN TERMINAL SPACING WITHIN .015/0.38 DIA.
 - C. SUGGESTED MATING PIN LENGTH .210 ±.020/5.33±0.51.
- ③ HOUSING MATERIAL: FILLED P.P.S. COLOR: BLACK.
FLAME RETARDANT PER UL-94V-0,
COMPATIBLE WITH INFRA-RED SOLDERING.
THIS PART WILL WITHSTAND EXPOSURES TO 260°C
PEAK TEMPERATURE FOR 20 SECONDS IN WAVE SOLDER,
INFRA-RED OR VAPOR PHASE SOLDER PROCESS.
- ④ PRESTAMPED POST PLATED TERMINALS.
- ⑤ FCI, FCI FINAL PART NUMBER AND DATE CODE
TO BE MARKED ON TUBE LABEL.
- 6. STANDARD PACKAGING PER BUS-14-097.
- ⑦ TAPE AND REEL PACKAGING PER GES-14-334.
- ⑧ TAPE AND REEL PACKAGING FOR 24mm WIDTH AND LESS WILL HAVE ONE
PILOT HOLE ON TAPE, ABOVE 24mm WIDTH TAPE WILL HAVE PILOT HOLES
ON BOTH SIDES.
- ⑨ VACUUM CAP MATERIAL: LCP
FLAME RETARDANT PER UL 94V-0.
VACUUM CAP P/N 71738-001
COLOR: BLACK
- ⑩ ADD SUFFIX "P" TO PART DASH NUMBER FOR TAPE & REEL PACKAGING.
EXAMPLE: 68617-XXXP
- ⑪ TAPE & REEL PACKAGING 44mm WIDE TAPE WITH 20mm POCKET PITCH.
- ⑫ TAPE & REEL PACKAGING 56mm WIDE TAPE WITH 20mm POCKET PITCH
- ⑬ ADD LF SUFFIX AT THE END OF PART NUMBER FOR LEAD FREE OPTION.
- 14. THIS PRODUCT MEETS EUROPEAN UNION DIRECTIVES AND OTHER COUNTRY
REGULATION AS DESCRIBED IN GS-22-008.
- ⑮ PLATING OPTIONS:
MAY BE EITHER GOLD OR GXT PLATED AT MANUFACTURER'S OPTION.



Copyright FCI

mat'l. code SEE NOTES 1, 3 & 8		surface ISO 1302 ✓	tolerance ISO 406 ISO 1101	projection 	product family DUBOX
ltr	ecn no	dr	date	title SMT SINGLE ROW LATCHED VCC ASSEMBLY	
X				tolerances unless otherwise specified	INCH/MM
				angles linear	scale 1:1
				0'±2'	
				dr J. SHREINER 10/07/90	dwg no sheet2 of 5 size
				enr M. HAHN 10/07/90	68617 A3
				chr M. HAHN 10/07/90	type Product Customer Drawing
				appd M. HAHN 10/07/90	
sheet index	revision sheet				

PRODUCT NO NOTE 13	PLATING CONTACT AREA NOTE 15	PLATING SOLDER TAIL	MATERIAL REF.
68617-2XX	15u"/.38u Au OR GXT MIN OVER 50u"/1.27u Ni MIN	100u"/160u" 2.54u"/4.06u" SN	NOTE 3 & 4
68617-3XX	30u"/.76u Au OR GXT MIN OVER 50u"/1.27u Ni MIN	100u"/160u" 2.54u"/4.06u" SN	NOTE 3 & 4
68617-6XX	30u"/.76u Au OR GXT MIN OVER 50u"/1.27u Ni MIN	100u"/160u" 2.54u"/4.06u" SN	NOTE 3 & 4
68617-8XX	30u"/.76u Au MIN OVER 50u"/1.27u Ni MIN	100u"/160u" 2.54u"/4.06u" SN	NOTE 3 & 4

OBSOLETE

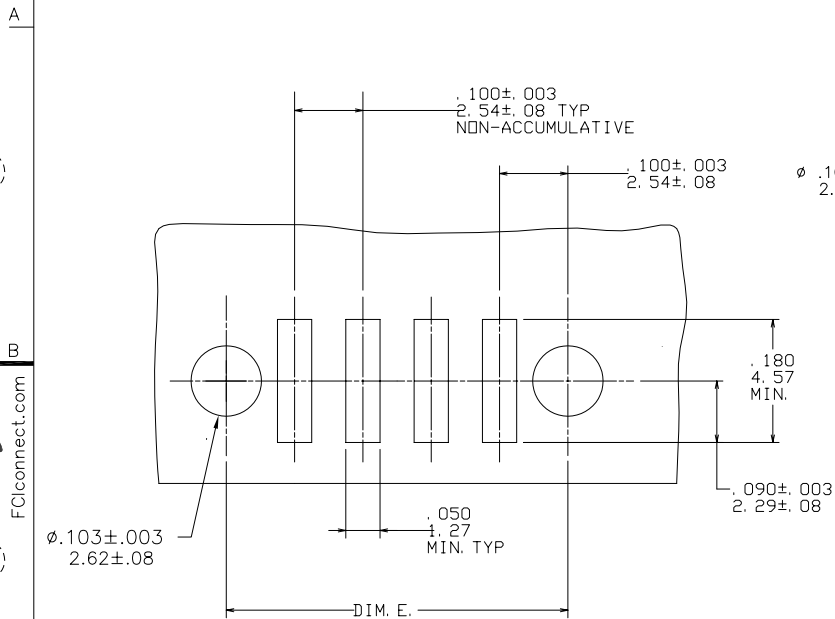


FIGURE A
TOP ENTRY
.025/.64 SQ PIN

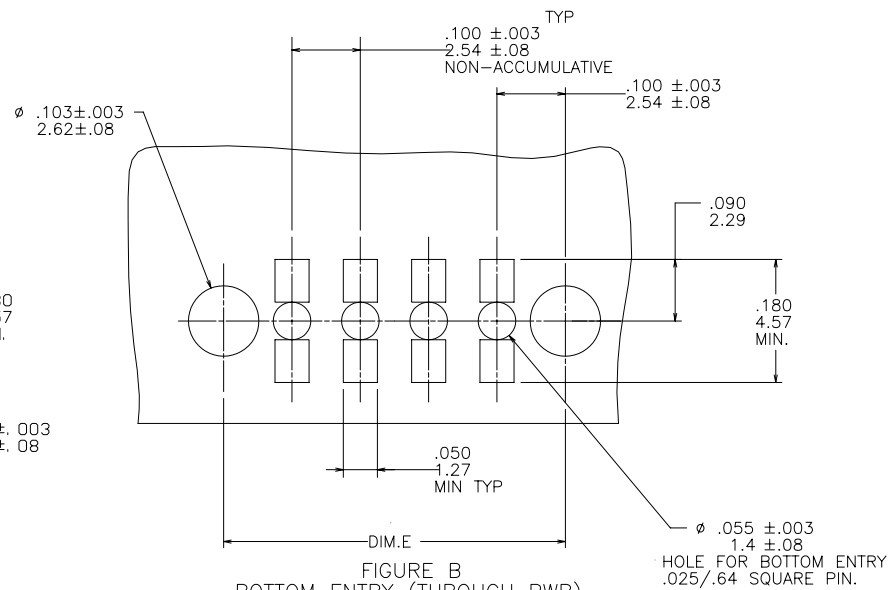


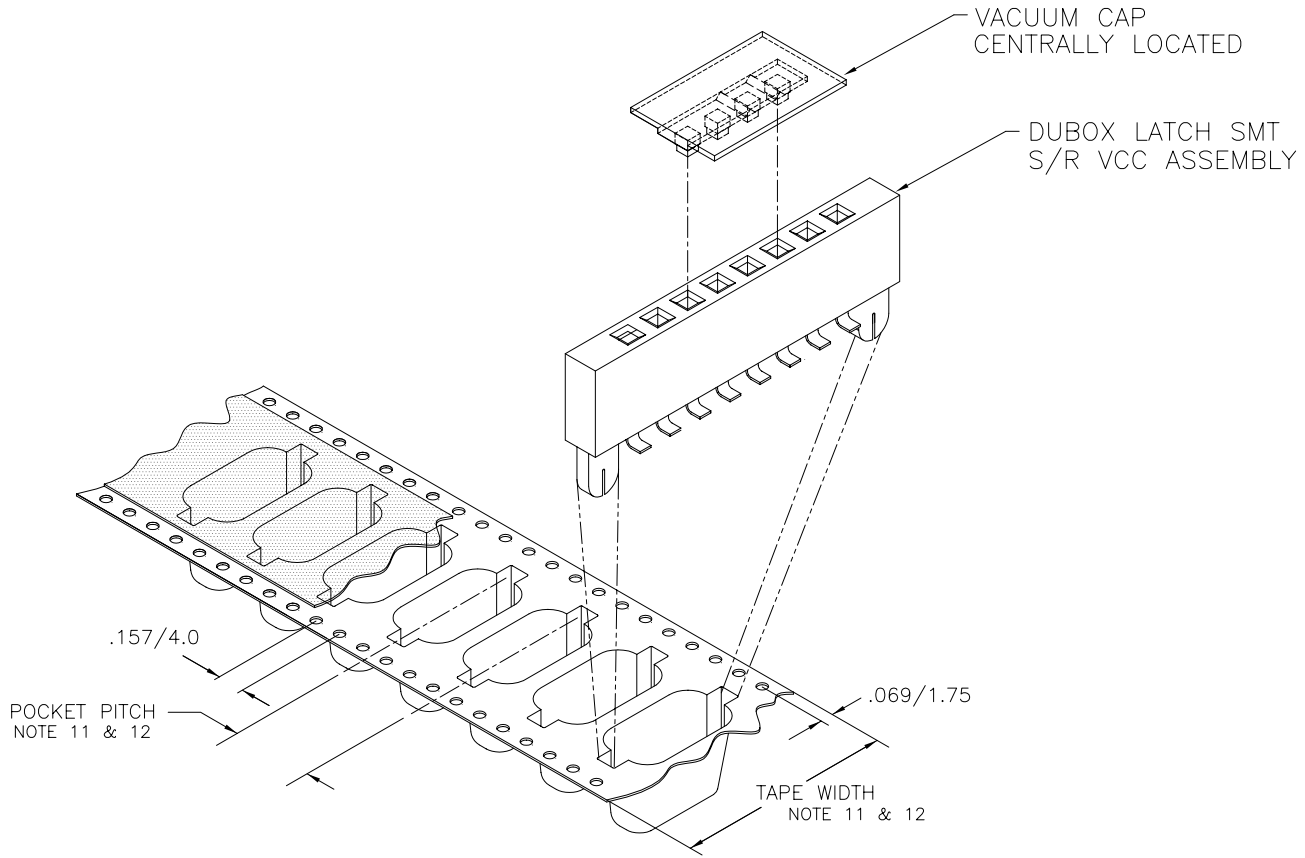
FIGURE B
BOTTOM ENTRY (THROUGH PWB)
.025/.64 SQ PIN

FCI
FCIconnect.com

Copyright FCI

mat'l. code	surface ISO 1302 ✓	tolerance ISO 406 ISO 1101	projection INCH/MM	product family DUBOX
ltr	ecn no	dr	date	title
X				SMT SINGLE ROW LATCHED VCC ASSEMBLY
				dwg no sheet 3 of 5 size
				68617 A3
				type Product Customer Drawing
sheet index	revision sheet			

PRODUCT NO.
SEE TABLE



TAPE AND REEL PACKAGING ONLY

FCI
FCIconnect.com

Copyright FCI

mat'l. code		surface		tolerance		projection		product family	
-		ISO 1302		ISO 406 ISO 1101				DUBOX	
ltr		ecn no		date		tolerances unless otherwise specified		title	
X						.xx ±.01/0.3 .xxx ±.005/0.13 .xxxx ±.0020/0.051		SMT SINGLE ROW LATCHED VCC ASSEMBLY	
				0°±2'		linear		INCH/MM	
								scale 1:1	
				dr		J. SHREINER		10/07/90	
				enr		M. HAHN		10/07/90	
				chr		M. HAHN		10/07/90	
				appd		M. HAHN		10/07/90	
sheet index		revision sheet							
								dwg no 68617 sheet 4 of 5 size A3 type Product Customer Drawing	

form: A3

PRODUCT NO NOTE 13	NO. OF POS.	DIM C	DIM D	DIM E	TAPE & REEL PACKAGING	LF OPTION
68617-Y02	1 X 2	.100/2.54	.417/10.59	.300/7.62	NO	
-Y03	1 X 3	.200/5.08	.517/13.13	.400/10.16	NO	
-Y04	1 X 4	.300/7.62	.617/15.67	.500/12.70	NO	
-Y05	1 X 5	.400/10.16	.717/18.21	.600/15.24	NO	
-Y06	1 X 6	.500/12.70	.817/20.75	.700/17.78	NO	
-Y07	1 X 7	.600/15.24	.917/23.29	.800/20.32	NO	
-Y08	1 X 8	.700/17.78	1.017/25.83	.900/22.86	NO	
-Y09	1 X 9	.800/20.32	1.117/28.37	1.000/25.40	NO	
-Y10	1 X 10	.900/22.86	1.217/30.91	1.100/27.94	NO	
-Y11	1 X 11	1.000/25.40	1.317/33.45	1.200/30.48	NO	
-Y12	1 X 12	1.100/27.94	1.417/35.99	1.300/33.02	NO	
-Y13	1 X 13	1.200/30.48	1.517/38.53	1.400/35.56	NO	
-Y14	1 X 14	1.300/33.02	1.617/41.07	1.500/38.10	NO	
-Y15	1 X 15	1.400/35.56	1.717/43.61	1.600/40.64	NO	
-Y16	1 X 16	1.500/38.10	1.817/46.15	1.700/43.18	NO	
-Y17	1 X 17	1.600/40.64	1.917/48.69	1.800/45.72	NO	
-Y18	1 X 18	1.700/43.18	2.017/51.23	1.900/48.26	NO	
-Y19	1 X 19	1.800/45.72	2.117/53.77	2.000/50.80	NO	
-Y20	1 X 20	1.900/48.26	2.217/56.31	2.100/53.34	NO	
-Y21	1 X 21	2.000/50.80	2.317/58.85	2.200/55.08	NO	
-Y22	1 X 22	2.100/53.34	2.417/61.39	2.300/58.42	NO	
-Y23	1 X 23	2.200/55.88	2.517/63.93	2.400/60.96	NO	
-Y24	1 X 24	2.300/58.42	2.617/66.47	2.500/63.50	NO	
-Y25	1 X 25	2.400/60.96	2.717/69.01	2.600/66.04	NO	
-Y26 THRU -Y50					NO	
-Y07P	1 X 7	.600/15.24	.917/23.29	.800/20.32	YES	
-Y08P	1 X 8	0.700/17.78	1.017/25.83	0.900/22.86	YES	
-Y09P	1 X 9	.800/20.32	1.117/28.37	1.000/25.40	YES	
68617-Y12P	1 X 12	1.100/27.94	1.417/35.99	1.300/33.02	YES	

NOTE 13

OBSOLETE
NOTE 10 & 11



FCIconnect.com

Copyright FCI

mat'l. code		surface		tolerance		projection		product family	
-		ISO 1302		ISO 406		INCH/MM		DUBOX	
ltr		ecn no		date		tolerances unless otherwise specified		title	
X						.XX ±0.1/0.3		SMT SINGLE ROW	
						.XXX ±0.05/0.13		LATCHED VCC ASSEMBLY	
						.XXXX ±0.020/0.051		scale 1:1	
								sheet 5 of 5 size	
								68617 A3	
								type Product Customer Drawing	
sheet index		revision sheet							